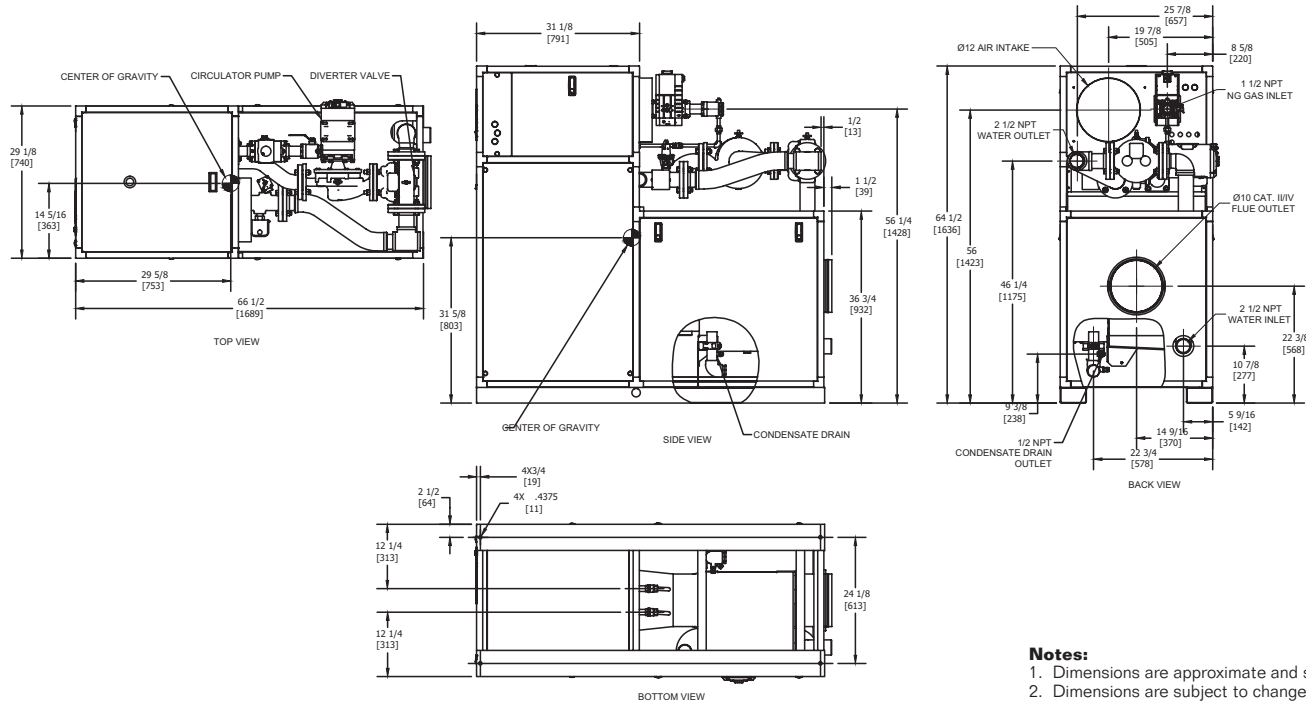


INDOOR UNIT

RSUB-101 REV H

CODE OPTIONS

CSD-1 Manual Reset LWCO



Notes:

1. Dimensions are approximate and should not be used to "rough-in" equipment.
2. Dimensions are subject to change without notice.

BOILER CERTIFIED RATINGS & CAPACITIES

Fuel Type	Natural/Propane Gas	Total FLA	18.1* @ 230V
Input BTU/hr.	1,750,000 / 513 kW	Min. Gas Pressure Required	2" W.C.**
Output BTU/hr.	1,667,750 / 489 kW	Max. Gas Pressure Allowed	14" W.C.
Electrical Requirements	(L1, L2, NEU, GND) 208-240 VAC / 1 ph / 60 hz	Operating Weight	1,362 lbs. / 618 kg.

BOILER TEMPERATURE RISE / PRESSURE DROP

25°F / 13.9°C				30°F / 16.7°C			
Flow Rate***		Total Loss****		Flow Rate***		Total Loss****	
GPM	L/s	Ft	kPa	GPM	L/s	Ft	kPa
121.8	7.7	14.7	43.9	101.5	6.4	11.9	35.6

*** Primary heat exchanger.

**** Includes primary, secondary, mixing valve and piping.

WATER HEATER HOURLY RECOVERY CAPACITY (GPH & LPH)

40°F	22°C	60°F	33°C	80°F	44°C	100°F	56°C	120°F	67°C	140°F	78°C
4,968	18,781	3,312	12,521	2,484	9,390	1,987	7,512	1,656	6,260	1,420	5,366

BOILER / WATER HEATER TRIM & CONTROLS

Main Gas Valve	Dungs MBC-SE	Air Switch	Cleveland NS2
Firing Valve	1 1/2"	Blower Motor	Fasco 1 hp
Ignition Control	Honeywell RM7895C	Relief Valve - CW	3/4" x 3/4" set @ 125 psi
Operating Control	HeatNet®	Relief Valve - CB	1" x 1 1/4" set @ 50 psi
High Limit	Jumo	Flow Switch	TACO
Main Ball Valve	1 1/2"	Pilot Regulator	White-Rodgers 25m
Economizer	RBI-2000	Circulator	TACO 1935 (1 hp) - FLA 14
Mixing Valve	2 1/2"	By-Pass Piping	2 1/2"

A.S.M.E.

ASME Sect IV Htg Surface	188.57 Sq. Ft. / 17.52 Sq. M.	Design Data	Max. 125 psig & 250°F
Water Volume	5.3 gal. / 20.06 Liters		
Water Volume Secondary HX	7.1 gal. / 26.76 Liters		

* Includes pump

** For incoming gas pressures lower than 2" W.C. natural or propane, consult factory.

REP FIRM _____
 SUBMITTED BY _____
 JOB NAME _____
 ARCHITECT _____
 ENGINEER _____
 CONTRACTOR _____
 DATE _____

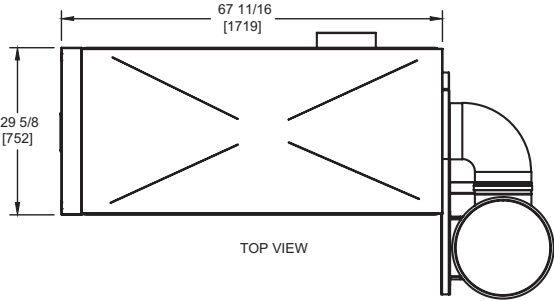
FUTERA FUSION 1750

Category II or IV Appliance
 (see Installation and Operation Manual for venting information)

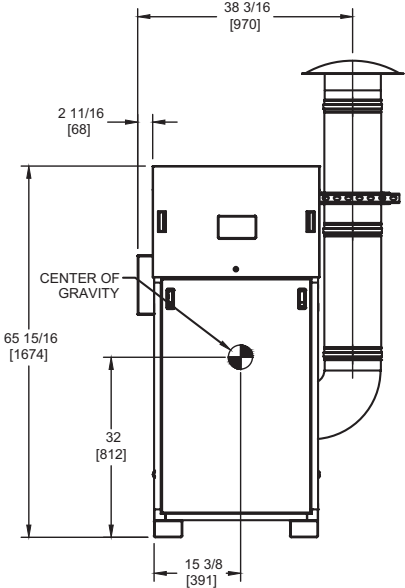
RBI®
 RELIABLE. BOLD. INNOVATIVE.

A Division of Mestek, Inc.
 Westfield, MA 01085
 (413) 568-9571

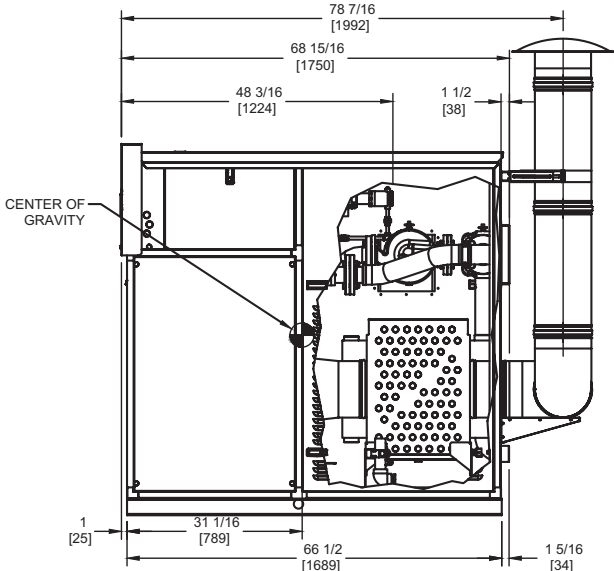
OUTDOOR UNIT



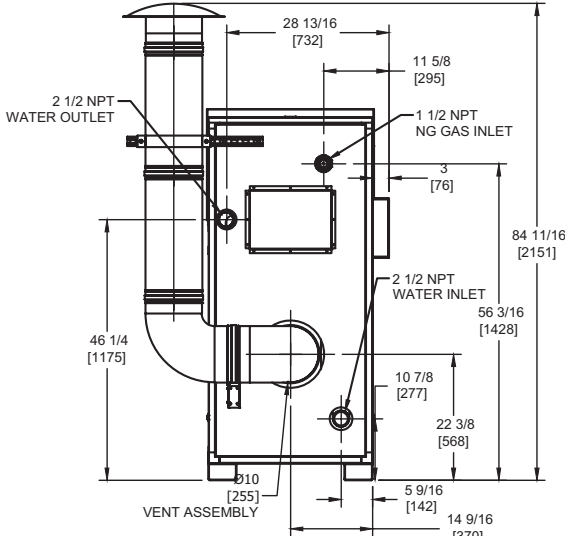
TOP VIEW



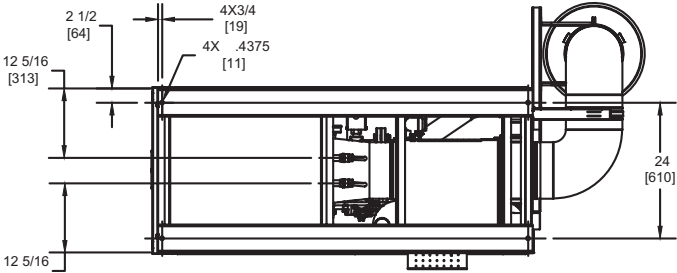
FRONT VIEW



SIDE VIEW



REAR VIEW



BOTTOM VIEW

- Notes:**
1. Dimensions are approximate and should not be used to "rough-in" equipment.
 2. Dimensions are subject to change without notice.

FUTERA FUSION 1750